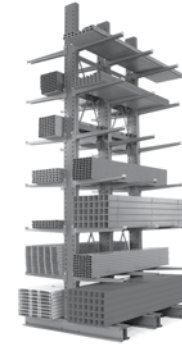




X Series Heavy Duty Cantilever

Height	Arms	Single Uprights			Double Uprights			Capacity per Side
		Model #	Base	Ship Wt.	Model #	Base	Ship Wt.	
8'	12" & 18"	SSX832	32"	225	DSX846	46"	240	16,500 #
8'	24"	SSX838	38"	235	DSX858	58"	260	14,500 #
8'	30" & 36"	SSX850	50"	250	DSX882	82"	295	15,500 # & 13,500 #
8'	42" & 48"	SSX862	62"	270	DSX8106	106"	330	12,500 # & 12,000 #
8'	60"	SSX874	74"	285	DSX8130	130"	365	9,000 #
10'	12" & 18"	SSX1032	32"	265	DSX1046	46"	280	16,500 #
10'	24"	SSX1038	38"	270	DSX1058	58"	295	14,500 #
10'	30" & 36"	SSX1050	50"	290	DSX1082	82"	330	15,500 # & 13,500 #
10'	42" & 48"	SSX1062	62"	310	DSX10106	106"	365	12,500 # & 12,000 #
10'	60"	SSX1074	74"	325	DSX10130	130"	400	9,000 #
12'	12" & 18"	SSX1232	32"	300	DSX1246	46"	315	16,500 #
12'	24"	SSX1238	38"	310	DSX1258	58"	335	14,500 #
12'	30" & 36"	SSX1250	50"	325	DSX1282	82"	370	15,500 # & 13,500 #
12'	42" & 48"	SSX1262	62"	345	DSX12106	106"	405	12,500 # & 12,000 #
12'	60"	SSX1274	74"	360	DSX12130	130"	440	9,000 #
14'	24"	SSX1438	38"	345	DSX1458	58"	370	14,500 #
14'	30" & 36"	SSX1450	50"	365	DSX1482	82"	405	15,500 # & 13,500 #
14'	42" & 48"	SSX1462	62"	380	DSX14106	106"	440	12,500 # & 12,000 #
14'	60"	SSX1474	74"	400	DSX14130	130"	475	9,000 #
s 16'	30" & 36"	SSX1650	50"	400	DSX1682	82"	445	15,500 # & 13,500 #
s 16'	42" & 48"	SSX1662	62"	420	DSX16106	106"	480	12,500 # & 12,000 #
s 16'	60"	SSX1674	74"	435	DSX16130	130"	515	9,000 #
s 18'	30" & 36"	SSX1850	50"	440	DSX1882	82"	480	15,500 # & 13,500 #
s 18'	42" & 48"	SSX1862	62"	455	DSX18106	106"	515	12,500 # & 12,000 #
s 18'	60"	SSX1874	74"	475	DSX18130	130"	550	9,000 #
s 20'	30" & 36"	SSX2050	50"	475	DSX2082	82"	515	15,500 # & 13,500 #
s 20'	42" & 48"	SSX2062	62"	500	DSX20106	106"	550	12,500 # & 12,000 #
s 20'	60"	SSX2074	74"	510	DSX20130	130"	585	9,000 #



Heavy Duty Arms

Model #	Height	Length	Capacity	Ship Wt.
XSA18	4"	18"	5500 #	17
XSA24	4"	24"	4100 #	20
XSA30	4"	30"	3300 #	23
XSA36	4"	36"	2750 #	26
XSA42	4"	42"	2300 #	28
XSA48	4"	48"	2000 #	33
XSA60	4"	60"	1650 #	37

Arms can be used with Intermediate Cantilever
Add "L" to the end of the part # for lip

Double X Extra Heavy Duty Arms

Model #	Height	Length	Capacity	Ship Wt.
XXSA24	4"	24"	6200 #	27
XXSA30	4"	30"	4990 #	31
XXSA36	4"	36"	4100 #	35
XXSA42	4"	42"	3500 #	40
XXSA48	4"	48"	3000 #	44
XXX-SA48TG	4"	48"	4000 #	46
XXSA60	4"	60"	2490 #	53

Arms can be used with Intermediate Cantilever
Add "L" to the end of the part # for lip

Pipe Sockets available upon request - Pipe not included.

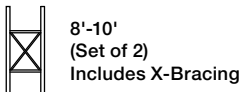
There is 3/8" per foot pitch on straight arms to compensate for deflection.

Double X Series Extra Heavy Duty Cantilever

Height	Arms	Single Uprights			Double Uprights			Capacity per Side
		Model #	Base	Ship Wt.	Model #	Base	Ship Wt.	
12'	30" & 36"	SSXX1255	55"	460	DSXX1287	87"	515	25,000 # & 22,000 #
12'	42" & 48"	SSXX1267	67"	490	DSXX12111	111"	560	22,000 # & 20,000 #
12'	60"	SSXX1279	79"	520	DSXX12135	135"	610	17,000 #
14'	30" & 36"	SSXX1455	55"	500	DSXX1487	87"	565	25,000 # & 22,000 #
14'	42" & 48"	SSXX1467	67"	525	DSXX14111	111"	610	22,000 # & 20,000 #
14'	60"	SSXX1479	79"	550	DSXX14135	135"	660	17,000 #
s 16'	30" & 36"	SSXX1655	55"	550	DSXX1687	87"	615	25,000 # & 22,000 #
s 16'	42" & 48"	SSXX1667	67"	570	DSXX16111	111"	660	22,000 # & 20,000 #
s 16'	60"	SSXX1679	79"	600	DSXX16135	135"	710	17,000 #
s 18'	30" & 36"	SSXX1855	55"	600	DSXX1887	87"	665	25,000 # & 22,000 #
s 18'	42" & 48"	SSXX1867	67"	620	DSXX18111	111"	710	22,000 # & 20,000 #
s 18'	60"	SSXX1879	79"	650	DSXX18135	135"	755	17,000 #
s 20'	30" & 36"	SSXX2055	55"	650	DSXX2087	87"	715	25,000 # & 22,000 #
s 20'	42" & 48"	SSXX2067	67"	670	DSXX20111	111"	760	22,000 # & 20,000 #
s 20'	60"	SSXX2079	79"	700	DSXX20135	135"	810	17,000 #

s Must be anchored (1/2" anchors not included)

Heavy Duty & Extra Heavy Duty Horizontal Braces



8'-10'
(Set of 2)
Includes X-Bracing

Model #	Length	Ship Wt.
B236X	36"	36
B248X	48"	43
B260X	60"	52
B272X	72"	60
B284X	84"	70
B296X	96"	78



12'-14'
(Set of 3)
Includes X-Bracing

Model #	Length	Ship Wt.
B336X	36"	49
B348X	48"	59
B360X	60"	72
B372X	72"	83
B384X	84"	97
B396X	96"	108



16'-18'
(Set of 4)
Includes X-Bracing

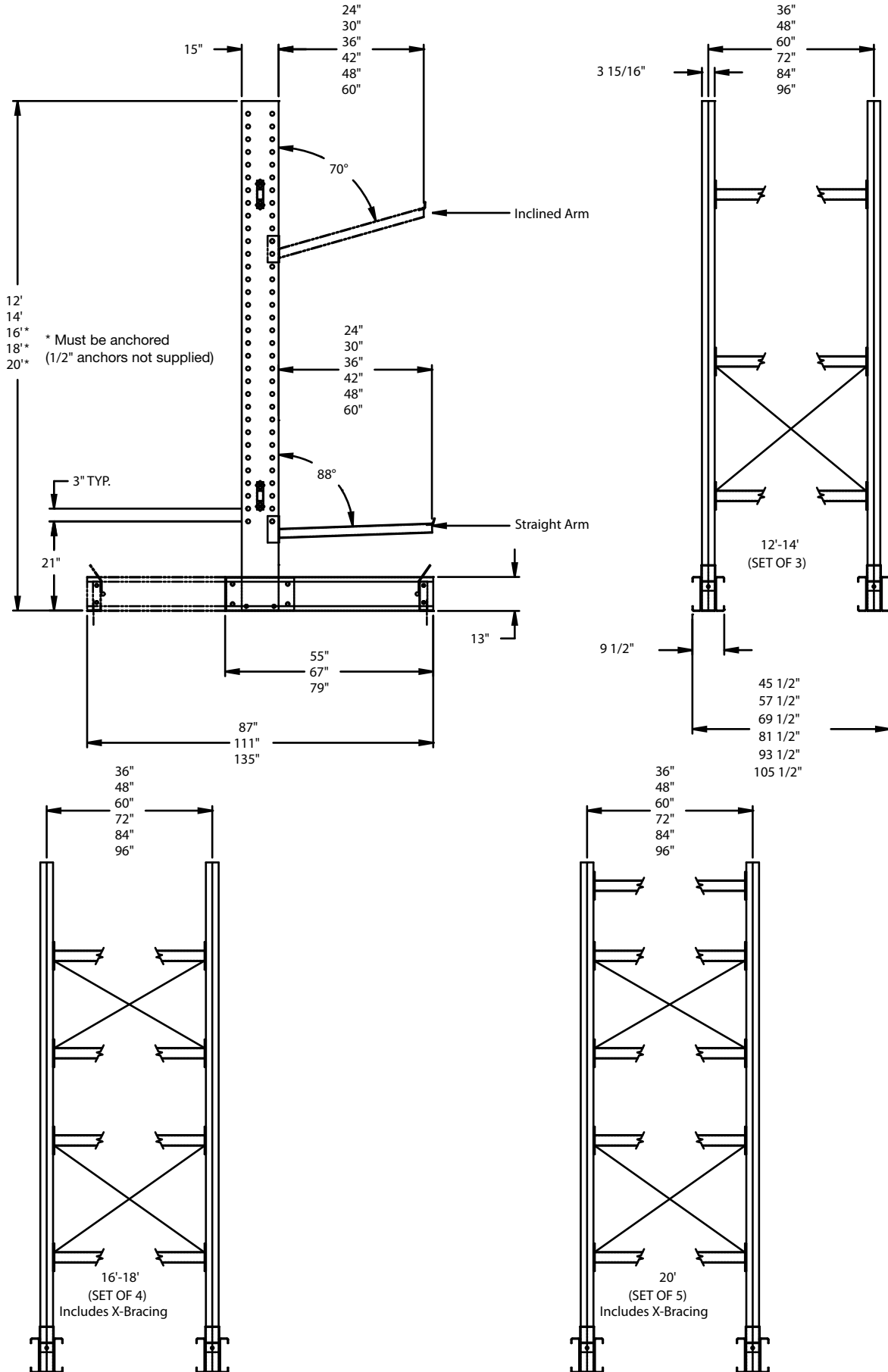
Model	Length	Ship Wt.
B436XX	36"	72
B448XX	48"	86
B460XX	60"	105
B472XX	72"	120
B484XX	84"	140
B496XX	96"	155



20'
(Set of 5)
Includes X-Bracing

Model	Length	Ship Wt.
B536XX	36"	85
B548XX	48"	102
B560XX	60"	125
B572XX	72"	143
B584XX	84"	166
B596XX	96"	185

XX SERIES EXTRA HEAVY DUTY CANTILEVER



INTERMEDIATE DUTY STRAIGHT ARMS

MODEL No. HEIGHT LENGTH CAPACITY SHIP/WT.

ISA12	3"	12"	3000#	9
ISA18	3"	18"	2500#	11
ISA24	3"	24"	2000#	13
ISA30	3"	30"	1500#	15
ISA36	3"	36"	1200#	17
ISA42	3"	42"	1100#	19
ISA48	3"	48"	1000#	21

There is 3/8" per foot pitch on straight arms to compensate for deflection.

INTERMEDIATE DUTY INCLINED ARMS

MODEL No. HEIGHT LENGTH CAPACITY SHIP/WT.

IIA12	3"	12"	3000#	9
IIA18	3"	18"	2500#	11
IIA24	3"	24"	2000#	13
IIA30	3"	30"	1500#	15
IIA36	3"	36"	1200#	17

For more capacity you can use the HEAVY DUTY & EXTRA HEAVY DUTY arms.

Add "L" to end of part Model No. for lip.

Pipe Sockets available upon request.

There is a 20 degree pitch in Inclined arms.

HEAVY DUTY ARMS

MODEL No. HEIGHT LENGTH CAPACITY SHIP/WT.

XSA18	4"	18"	5500#	17
XSA24	4"	24"	4100#	20
XSA30	4"	30"	3300#	23
XSA36	4"	36"	2750#	26
XSA42	4"	42"	2300#	28
XSA48	4"	48"	2000#	33
XSA60	4"	60"	1650#	37

These arms can be used with the Intermediate Cantilever

Add "L" to the end of the part Model No. for lip.

EXTRA HEAVY DUTY ARMS

MODEL No. HEIGHT LENGTH CAPACITY SHIP/WT.

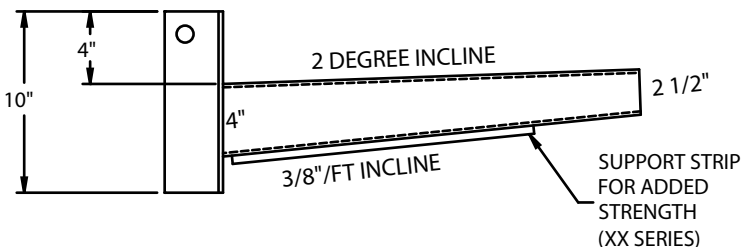
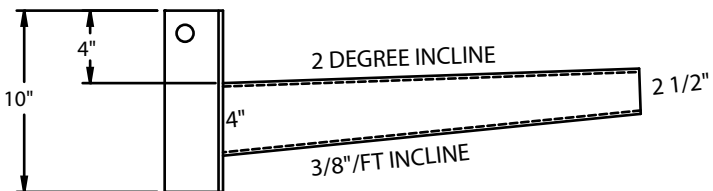
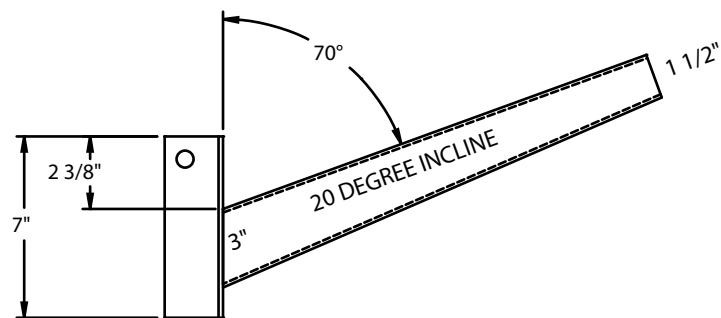
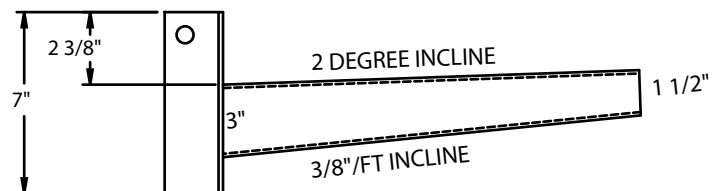
XXSA24	4"	24"	6200#	20
XXSA30	4"	30"	4990#	23
XXSA36	4"	36"	4100#	26
XXSA42	4"	42"	3500#	28
XXSA48	4"	48"	3000#	33
XXXSA48	4"	48"	4000#	33
XXSA60	4"	60"	2490#	37

These arms can be used with the Intermediate Cantilever

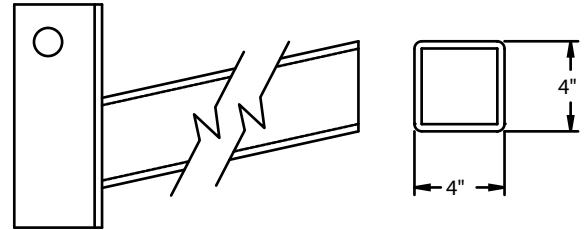
Add "L" to the end of the part Model No. for lip.

Pipe Sockets available upon request.

There is a 3/8" per foot pitch on straight arms to compensate for deflection.



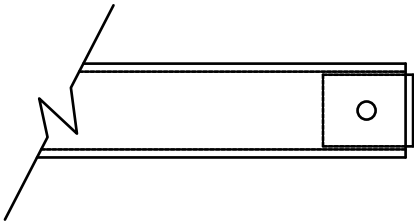
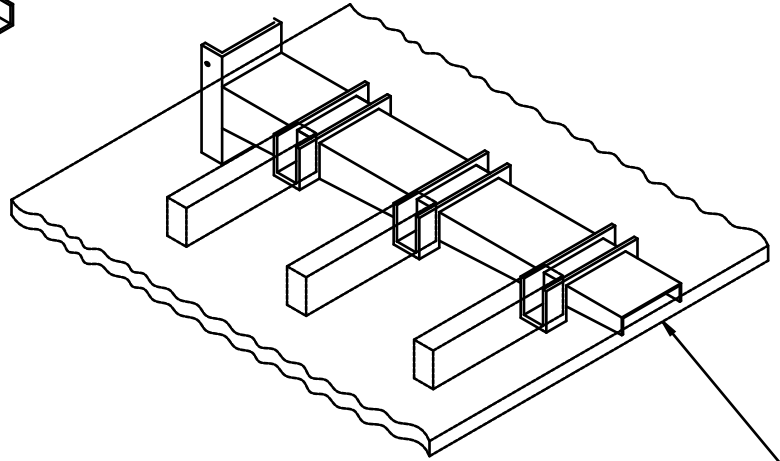
OPTIONAL
ACCESSORIES



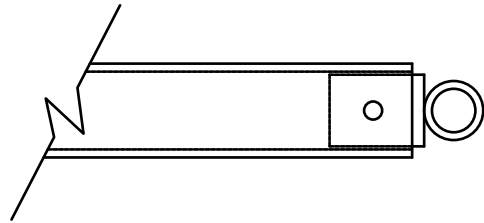
EXTRA Heavy Duty
TUBULAR ARM AVAILABLE
11GA, 7GA, 1/4"
PER WEIGHT REQUIREMENT

RETENTION PIPE (Ø3/4")

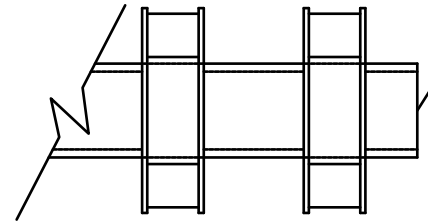
OPTIONAL
PIPE SOCKET
ON BASE



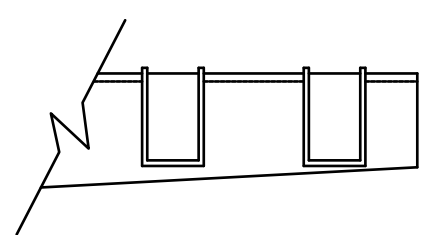
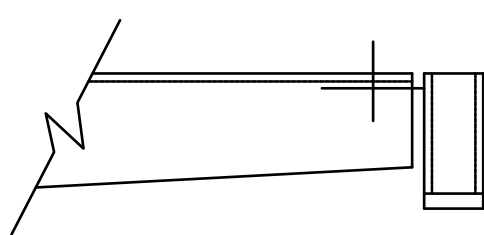
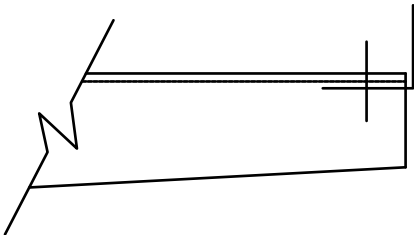
OPTIONAL
BOLT-ON
LIP



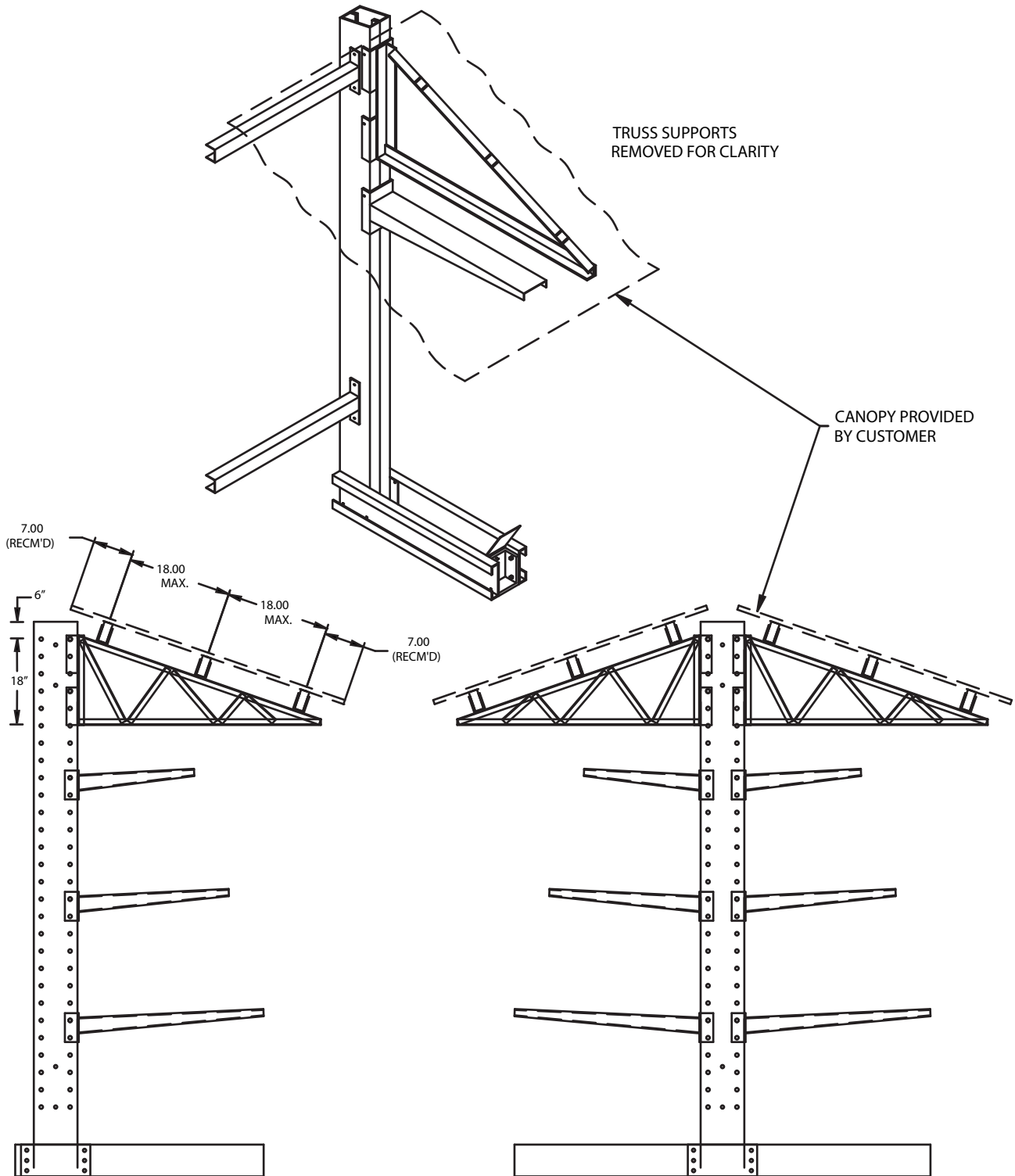
OPTIONAL
BOLT-ON
PIPE SOCKET
(RETENTION PIPE Ø3/4")



OPTIONAL
DROP-IN DECK
SUPPORT SADDLES



OUTDOOR STORAGE WITH OVERHEAD CANOPY



CANOPY SINGLE SIDE

CANOPY DOUBLE SIDE

INSTALL A CANOPY TO CONVERT A WEST POINT CANTILEVER RACK TO AN OUTDOOR STORAGE FACILITY. THIS SYSTEM CAN BE UTILIZED AS A SINGLE OR DOUBLE SIDED "ROOF" (DEPENDING ON LENGTH OF BASE USED). NOTE: THE USE OF CANOPY CAN SIGNIFICANTLY REDUCE THE RACK'S CAPACITY DUE TO WIND AND SNOW LOADS. WEST POINT RACK WILL DESIGN THE CANOPY SUPPORTS TO CONFORM WITH LOCAL WIND AND SNOW LOAD CONDITIONS.